

# Holmatro

## Telescopic Ram TR 5340 LP

Compact Strength for Critical Moments



### Product Overview

- Holmatro Telescopic Ram TR5340 LP. Compact, lightweight ram with telescopic plunger - 5000 series. Lighter than ever, improved performance. Possibility to add extra length with optional extension pieces. With integrated laser pointer for first-time-right positioning.
- Standard supplied with:
  - Integrated laser pointer in ram head
  - Integrated LED lighting at both the plunger side and base side of the ram
  - Ergonomic carrying handle
  - Redesigned, ergonomic control handle with improved grip
  - CORE Technology: quicker, safer, easier

### Key Features

- **Lightweight:**
  - Lighter than ever, thanks to new materials, component integration and smart design. Very easy to carry and handle, reducing physical strain.
- **Increased performance:**
  - More spreading force in 2nd stage, where you need it the most, and more length to expand your extrication options
- **Integrated laser pointer in ram head:**
  - Marks the exact spot where the ram will touch the object after extension
  - Enables first-time-right positioning, which saves time and is safer for the patient
- **Integrated LED lighting:**
  - Illumination of both the plunger and the base side of the ram (6 LED lights in total)
  - You can start right away, both during the day and at night, without working in your own shadow
- **Ergonomic carrying handle:**
  - New handle design for easy carrying: tool remains in balance
  - Mounted parallel to tool to limit dimensions
- **Built-in Speed Valve:**
  - When unloaded, the plunger extends quickly to the desired distance to speed up positioning of your ram
- **New control handle:**
  - Improved ergonomic design, offering better grip for optimal tool control



www.frsa.com.au | admin@frsa.com.au | + 61 7 3209 7422

# Holmatro

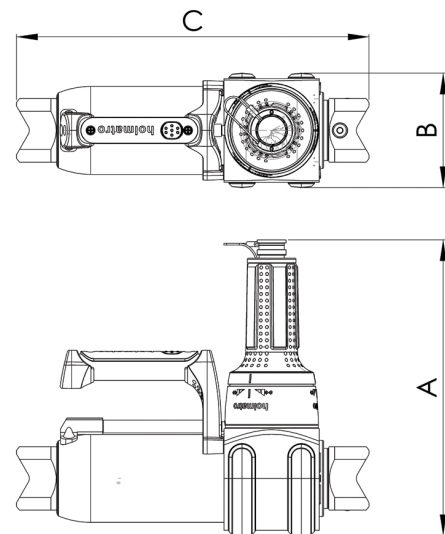
## Telescopic Ram TR 5340 LP

Compact Strength for Critical Moments



Specifications		
Article number		150.032.102
Model		TR 5340 LP
Short description		Telescopic Ram
Equipped with (connector type)		CORE
Max. working pressure	bar/Mpa	720 / 72
Spreading stroke 1st plunger	mm	150
Spreading stroke 2nd plunger	mm	125
Total spreading stroke	mm	275
Retracted length	mm	335
Extended length	mm	610
Max. spreading force 1st plunger	kN/t	217 / 22.1
Max. spreading force 2nd plunger	kN/t	101 / 10.3
Required oil content (effective)	cc	525
Hydraulic oil type		ISO-L HV VG 15/22
Number of plungers		2
Temperature range	°C	-20 +55
Dimensions (AxBxC)	mm	280 x 109 x 335
Weight (without hose)	kg	9.2
Weight, ready for use (hose connected acc. EN 13204 2025 Ed.)	kg	10.4
EN 13204 classification		TR217/150-101/125-9.2
EN 13204 compliant		Yes
NFPA 1960, HSF	kN/t	217 / 22.1
NFPA 1960, LSF	kN/t	101 / 10.3
NFPA 1960 compliant		Yes
EN 13204 2025 Ed classification		TR-217/150-101/125

Accessories		
Extension Pipe TRE 02		150.182.336
Extension Pipe TRE 01		150.182.337
Cross Ram Support Set XRS01		151.001.164
Ram Support HRS 22		150.181.011
Ram Support HRS 22 NCT		150.003.105



Standard supplied with		
<ul style="list-style-type: none"> <li>• Integrated laser pointer in ram head</li> <li>• Integrated LED lighting at both the plunger side and base side of the ram</li> <li>• Ergonomic carrying handle</li> <li>• Redesigned, ergonomic control handle with improved grip</li> <li>• CORE Technology: quicker, safer, easier</li> </ul>		

Safety Factors / Tests		
Hydraulic safety factor		2:1
Endurance test tool		1000 cycles of spreading while the tool is loaded
Endurance test dead man's handle		6000 cycles

www.frssa.com.au | admin@frssa.com.au | + 61 7 3209 7422